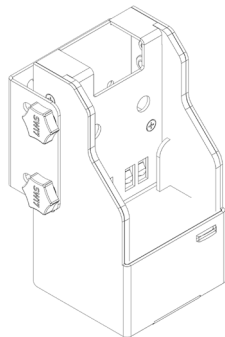




For proper and safe use, follow these instructions.
Keep for future reference.



Status: 15.01.2026 REV2
Model: [501009] WTC3204PS
Charging module: [501046] WCM3B-64 REV5
Bracket: [801225] Mounting bracket for WTC3204
Accessories: [800025] Thumb Screw
[700113] Cable Ties
[800023] DC-Power cable

Input: 5 VDC ... 36 VDC, max. 2,1 A
Output: max 11,6 VDC, 2 A
Weight: 268 g incl. mounting bracket & thumb screw
Measurements in mm 132,5 mm x 81,5 mm x 82,7 mm
Degree of Protection: IP20

1. General Description

This model is designed for the safe holding and charging of the corresponding radio or battery. Its functions can be expanded with WeTech®-approved additional modules. For secure attachment of the radio, the belt clip mentioned below is required. Compatible radios and batteries are:

Manufacturer	Radio	Battery	Belt Clip
MOTOROLA	R2	PMNN4600, PMNN4598	PMLN7008A

Safety instructions



Hot surface

During charging, the battery can reach a temperature of 45°C.



Hazard from loose parts in the vehicle

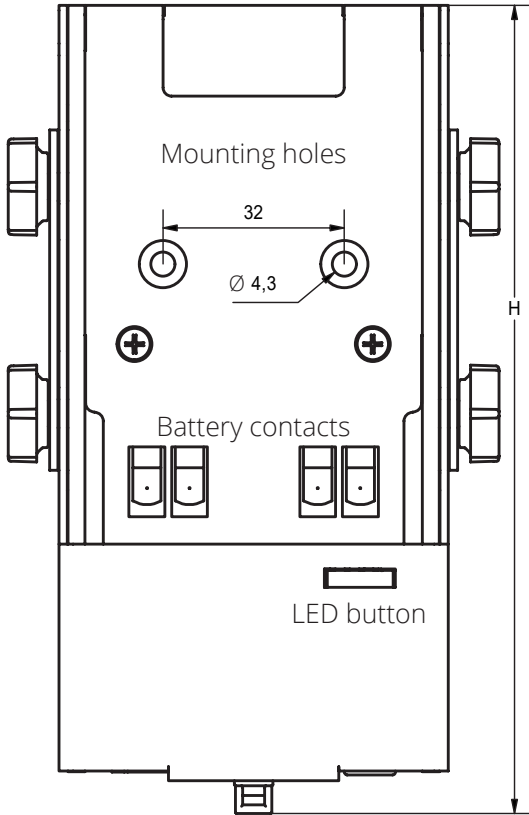
Ensure all fasteners are securely tightened during installation.



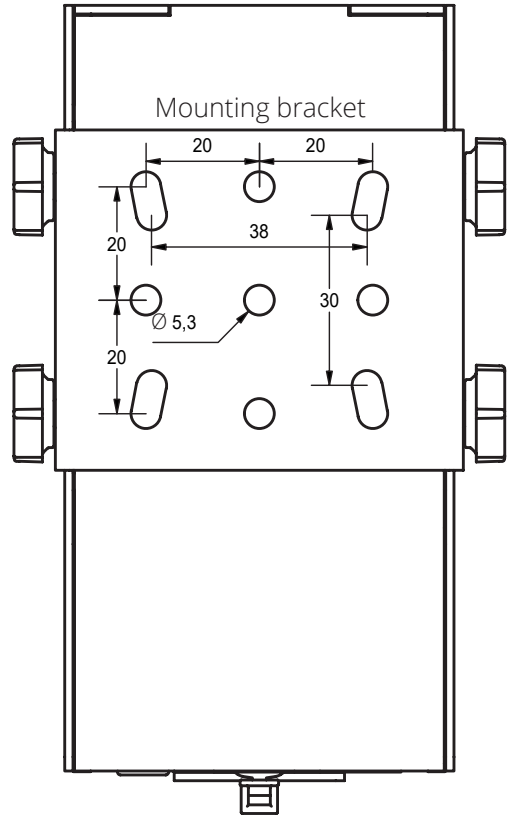
Fire hazard

Conductive foreign objects or unsuitable batteries can cause overheating. Use only radios and batteries that are officially approved by WeTech® as compatible.

Front view

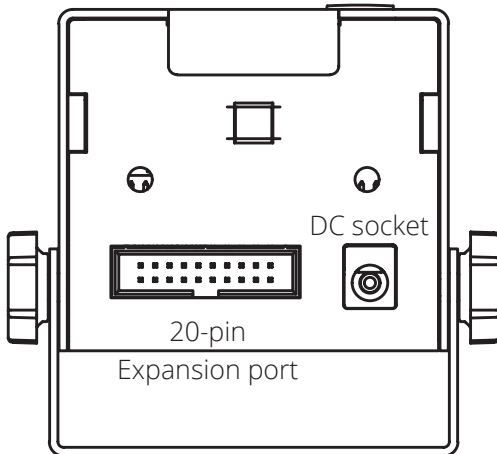


Rear view

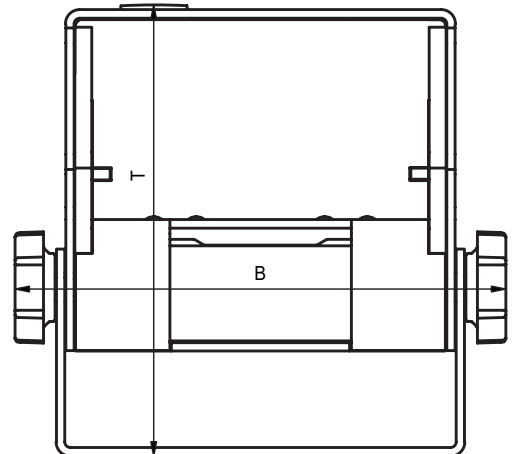


Cable tie holder

Bottom view



Top view



3. Safety Instructions

Please observe the following points for safe use:

- Connect the charger in the vehicle to 12 VDC or 24 VDC.
- For stationary operation, a power supply with 12 VDC / 2.5 A is recommended.
- Connect only WeTech®-approved expansions to the 20-pin expansion port to avoid damage.
- Use the device only in a dry environment. Do not insert wet radios or batteries into the charging cradle.
- Follow the fire safety instructions of your radio or battery.

4. Care Instructions



Keep contacts clean

Use a dry, lint-free cloth to clean the contacts.



Check fastenings regularly

Regularly inspect fastening elements such as thumb screws and tighten them if necessary.

5. Start of the system

Commissioning must be carried out by trained personnel (e.g., vehicle equipment supplier).

1. Connect the DC power cable to the vehicle power supply (Red + / Black -).



2. Mount the holding bracket or charging cradle with at least two screws.

3. If using the holding bracket, secure the charging cradle with the four thumb screws. The star shape allows the use of a wrench with a size of 17 mm.



4. Connect the DC power cable to the DC socket of the charging cradle. The LED indicator may blink briefly during this process.

5. Secure the DC power cable to the cable tie holder using the supplied cable tie.

6. Check that the charging cradle is properly seated.

7. Insert the radio or battery into the charging slot. The LED will first indicate the charging target and then display the charging status via color transition.

6. Controls

- The LED button indicates the current battery voltage.

Red (blinking): There is an error. See 8. Troubleshooting.

Red: The battery is empty.

Green: Charging is complete.

The charging status is displayed by a color transition from red to green.

- The LED button can be used to switch between ~80% charge (yellow-green) and 100% (green). The switch must be made without a battery inserted.

7. Disassembly & Disposal


Disconnect the device from the power supply. Loosen the side thumb screws or the mounting screws from the mounting holes. The installed electronics can largely be reused. Contact WeTech® to verify the reusability of parts.

8. Troubleshooting


In case of an error, the red LED will blink. If any of the following measures are unsuccessful, contact customer service.

1. Reinsert the device.
2. Disconnect the charger from the power supply for at least 10 seconds.
3. Clean the contacts according to the care instructions.
4. Check the cradle for any damage.


9. CE Compliance

 The device has been successfully tested according to European standards. The EU Declaration of Conformity, including RoHS, REACH, and SVHC certificates, can be downloaded from our website at www.wetech.de. Alternatively, follow the optional QR code on the front of the product.

10. E1 Type Approval

 The E1 type approval from the Federal Motor Transport Authority (Kraftfahrt-Bundesamt) confirms that the EMC regulations for road vehicles are met. Devices with this type approval may be installed in vehicles without affecting their operating permit.

11. WEEE

 This symbol indicates that the product marked with it must not be disposed of as regular household waste. When disposing of this product, follow the applicable national laws and regulations in your country or municipality. Proper disposal of this product helps protect the environment and prevents potential harm to the environment and human health.

12. Customer Survey

Help us improve. By scanning the QR code, you will be directed to our feedback page. Information on data protection can be found on our website.



Feedback

Contact and Support

WEMPE Elektronik GmbH - Leinenweberstr. 6 - 36251 Bad Hersfeld
Telefon: +49 6621 92400 - Email: info@wetech.de - www.wetech.de

Made in Germany